



SUBMITTAL

TYPE: SSA ASME PRE-CHARGED HORIZONTAL SURGE ARRESTOR TANKS
MODELS: SSA 1000H TO SSA 20000H

Submittal Sheet No. SSAH-2021A

Date: 02/21

JOB _____	AA tanks Representative _____
Unit Tag No. _____	Order No _____ Date _____
Engineer _____	Submitted By _____ Date _____
Contractor _____	Approved By _____ Date _____

DESCRIPTION

AA tanks Type SSA-H Tanks are ASME replaceable bladder type pre-charged hydro-pneumatic tanks for commercial, industrial, municipal and well water systems, to effectively control water hammer shock, and pump start-up/shut-down water surge. The vessels are fabricated between 125 PSI and 500 PSI rating with a large water system connection designed to accept potentially harmful water surge pressures quickly, with minimal pressure drop.

CONSTRUCTION

Shell: Carbon Steel
External Finish: Primer
(Special Finishes Upon Request)
Internal Coating: Available upon Request
System Connection: Epoxy Coated Carbon Steel
Level Gauge: Available upon request
Bladder: Heavy Duty Butyl
(NSF Certified / FDA Approved Materials)

PERFORMANCE LIMITATIONS

Maximum Design Pressure: 125 TO 500 PSIG
Maximum Design Temperature: 240°

Model Number	Tank Volume (Gallons)	Tagging Information	Quantity
SSA 1000H	264		
SSA 1200H	317		
SSA 1400H	370		
SSA 1600H	422		
SSA 2000H	528		
SSA 2500H	660		
SSA 3000H	792		
SSA 4000H	1056		
SSA 5000H	1320		
SSA 7500H	1980		
SSA 10000H	2640		
SSA 15000H	3963		
SSA 20000H	5284		

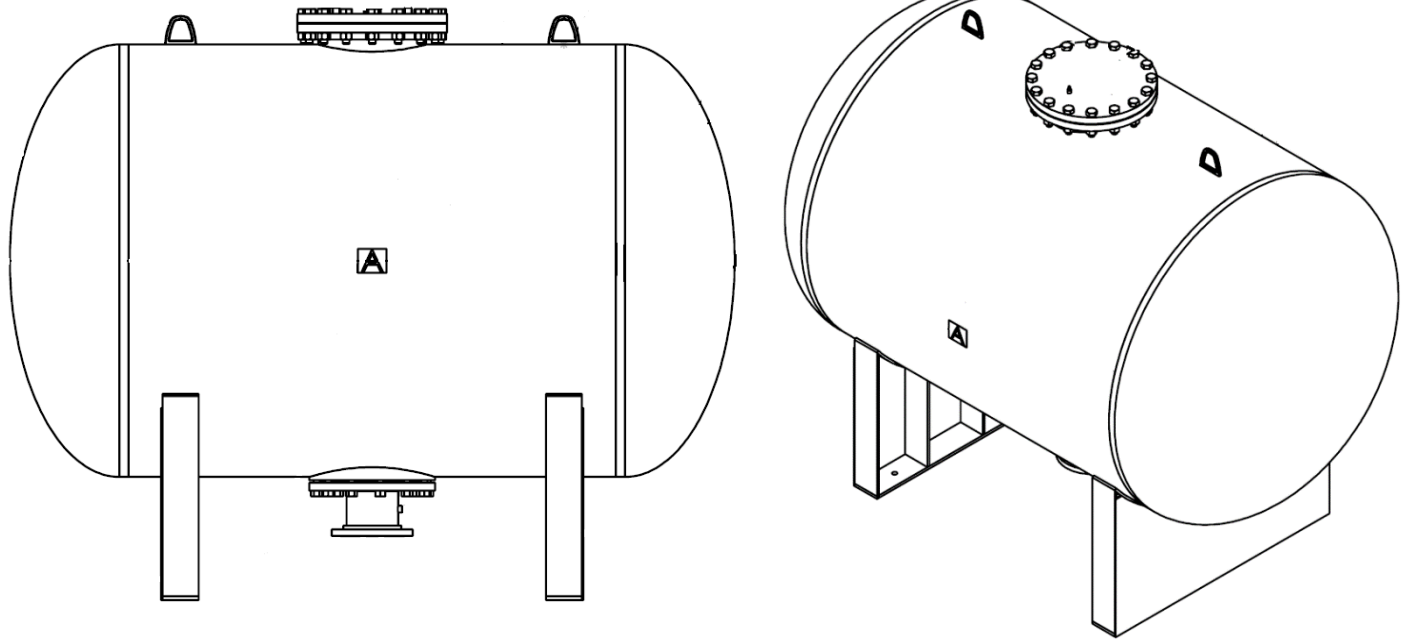
TYPICAL SPECIFICATION

Furnish and install, as shown on plans, a _____ gallon _____" diameter X _____" (long) pre-charged surge arrestor tank with heavy-duty butyl bladder. The tank shall have NPT, flanged or grooved system connections and a 0.302"-32 charging valve connection (standard tire valve) to facilitate the on-site charging of the tank to meet system requirements. The tank must be constructed in accordance with most recent addendum of Section VIII Division 1 of the ASME Boiler and Pressure Vessel Code.

Each tank shall be AA tanks model number SSA-_____H or approved equal.

25110 THOMAS DR • WARREN, MI 48091 • (586) 427-7700 • (586) 427-7895 FAX • www.aatanks.com





DIMENSIONS & WEIGHTS

Model Number	Tank Volume Gallons	Dimensions in Inches					Approx. Shipping Weight (lbs)
		Diameter	OAL	Saddle Clearance	Charging Valve	System Connection (Standard)	
SSA 1000H	264	36	96	To Be Specified	0.302" -32NC	10	830
SSA 1200H	317		107				1118
SSA 1400H	370		119				1330
SSA 1600H	422	48	92				1713
SSA 2000H	528		105				2026
SSA 2500H	660		122				2352
SSA 3000H	792		138				2782
SSA 4000H	1056	60	133				3736
SSA 5000H	1320		152				4485
SSA 7500H	1980	72	165				6583
SSA 10000H	2640		196			8068	
SSA 15000H	3963		217			12030	
SSA 20000H	5284		84			271	16262

NOTES:

- Tanks are factory pre-charged to 30 PSI and field adjustable.
- Magnetic Level Gauge available upon request
- Pressure Gauge available upon request
- Pressure relief valve available upon request
- Rupture disk available upon request
- Davit Arm available upon request
- Available with Water in Bladder or Air in Bladder configurations (Interior epoxy necessary for air in bladder design)